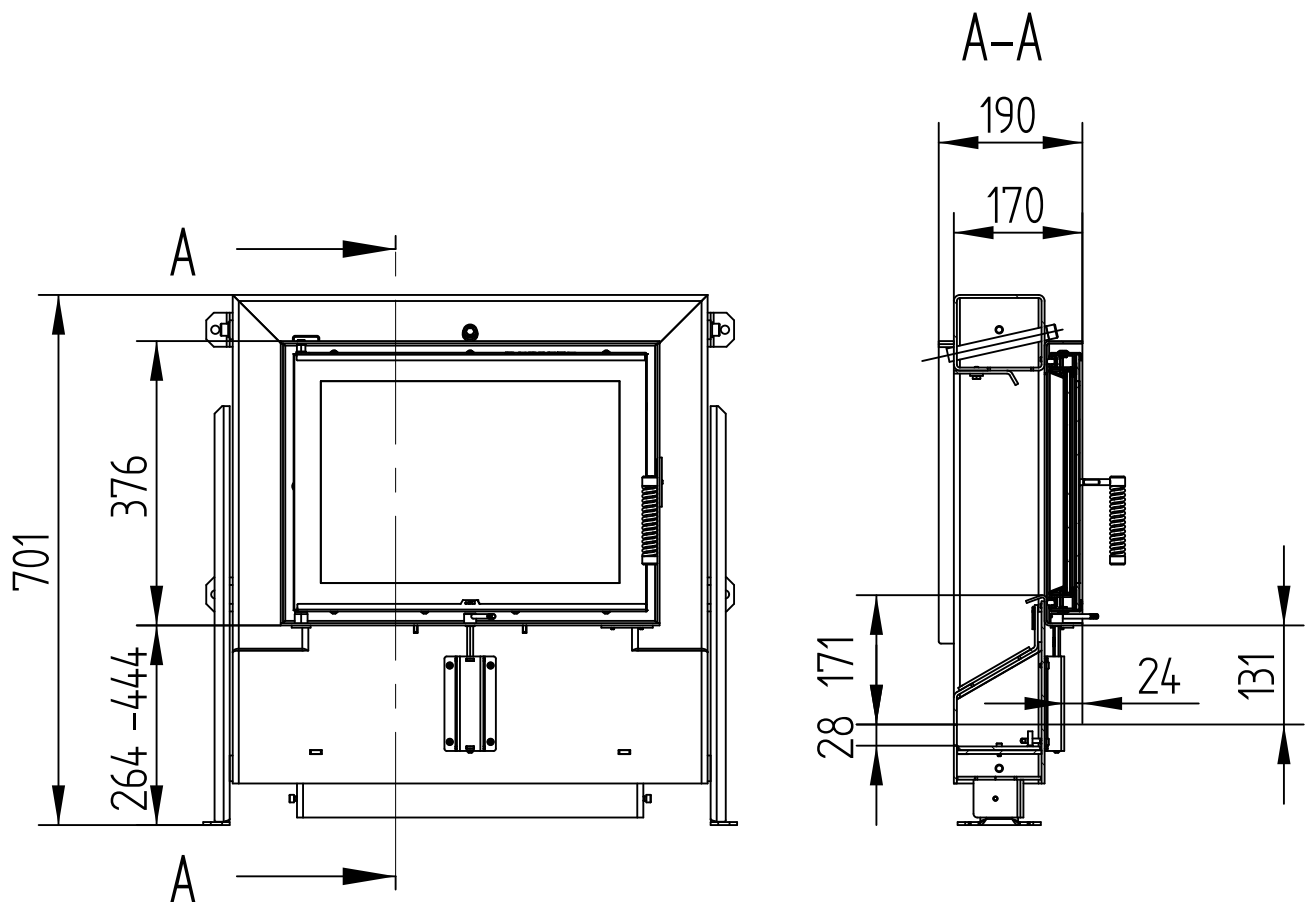
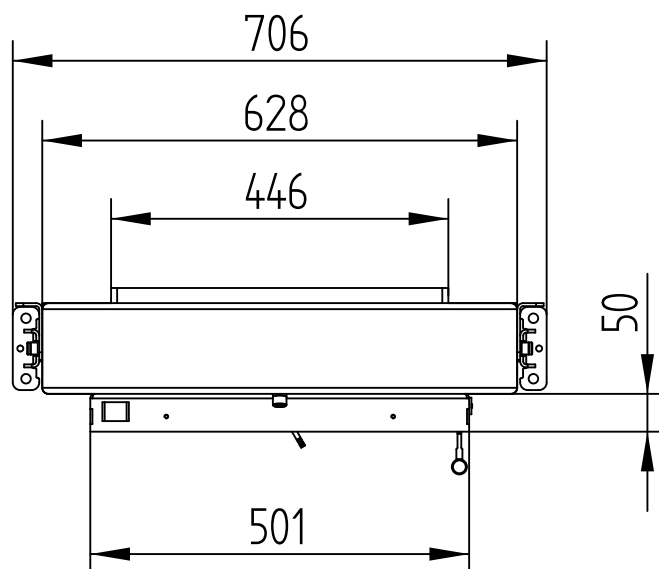
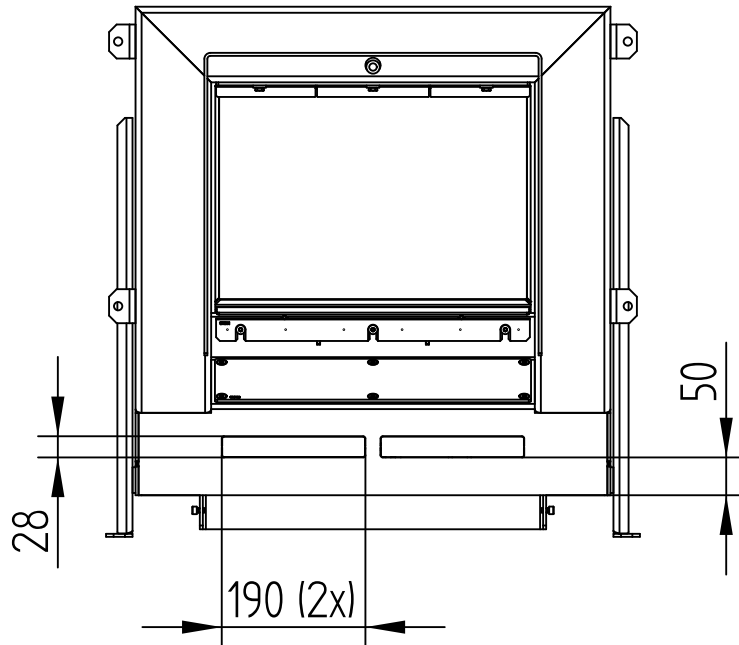


GENERAL TECHNICAL INFORMATION	
Recommended wood load	12 kg
Maximum cross-section of the supply air connection	240 cm <sup>2</sup>
Optional combustion air adapter	2 × Ø 125 mm, 1 × Ø 180 mm
Pressure drop	-
Free glass area	1148 cm <sup>2</sup>

M 1 : 10



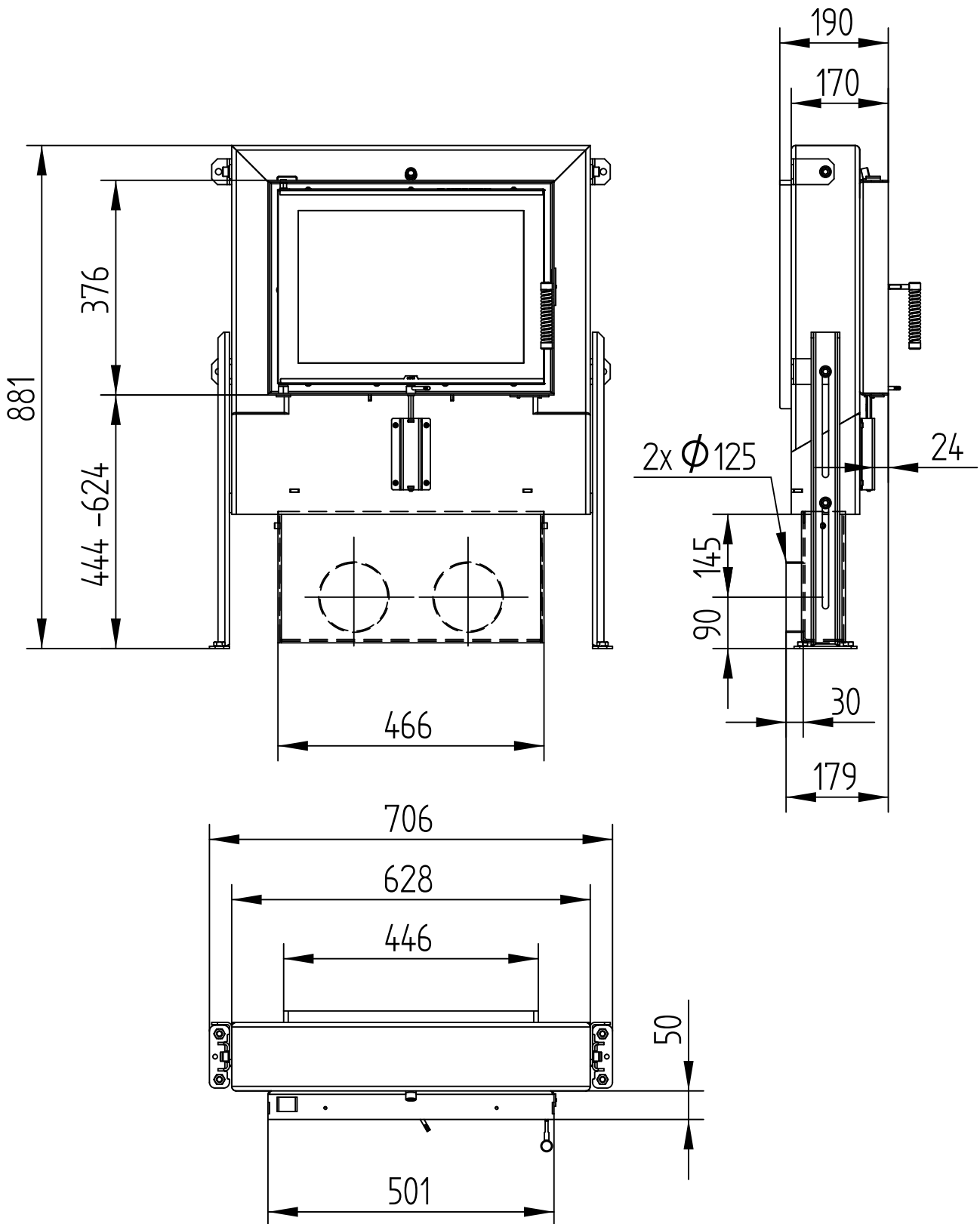


# GT 50/37

Technical data  
Version 07/2015

COMBUSTION AIR CONNECTION 2 x Ø 125 mm

M 1 : 10

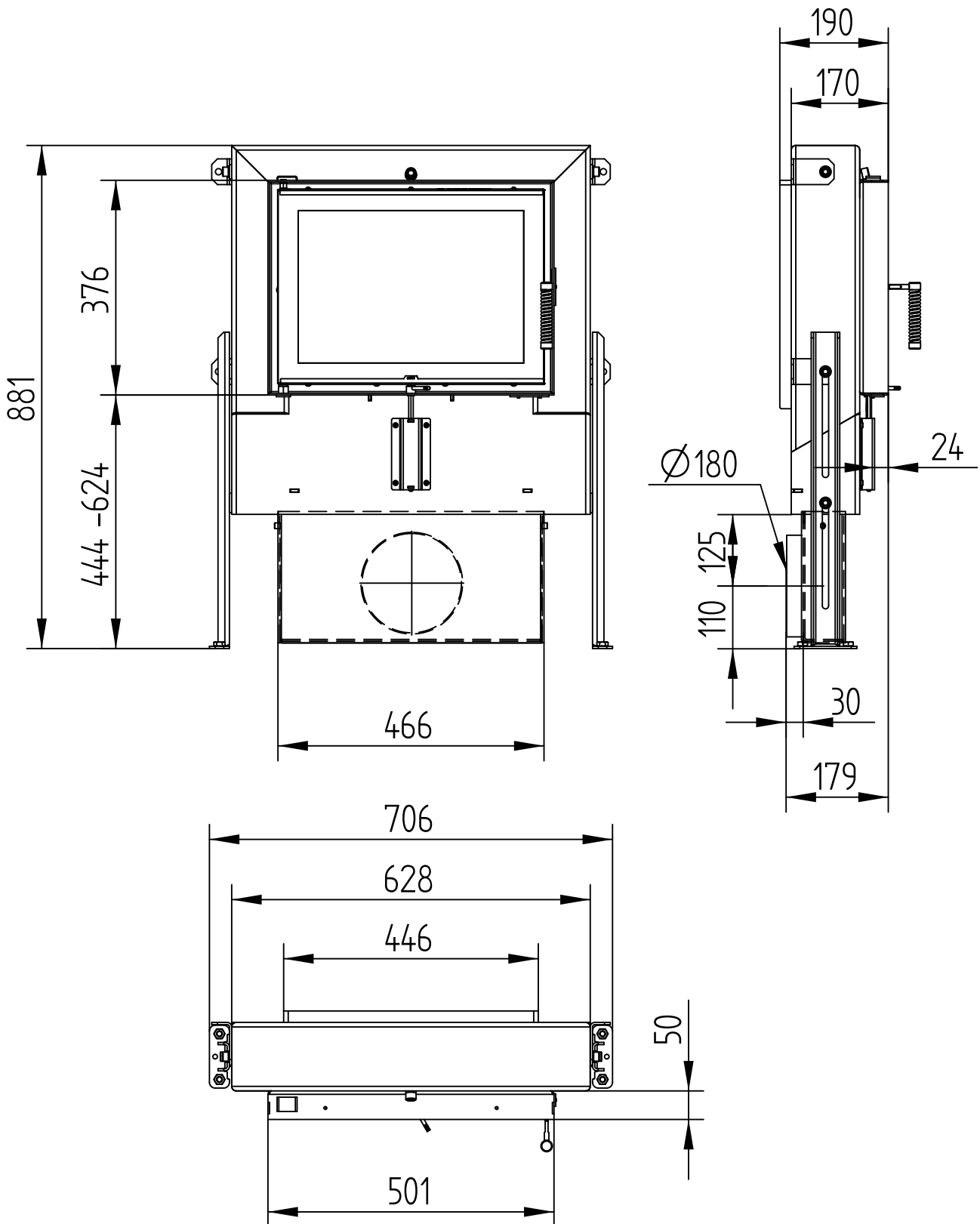


# GT 50/37

Technical data  
Version 07/2015

COMBUSTION AIR CONNECTION 1 x  $\varnothing$  180 mm

M 1 : 10

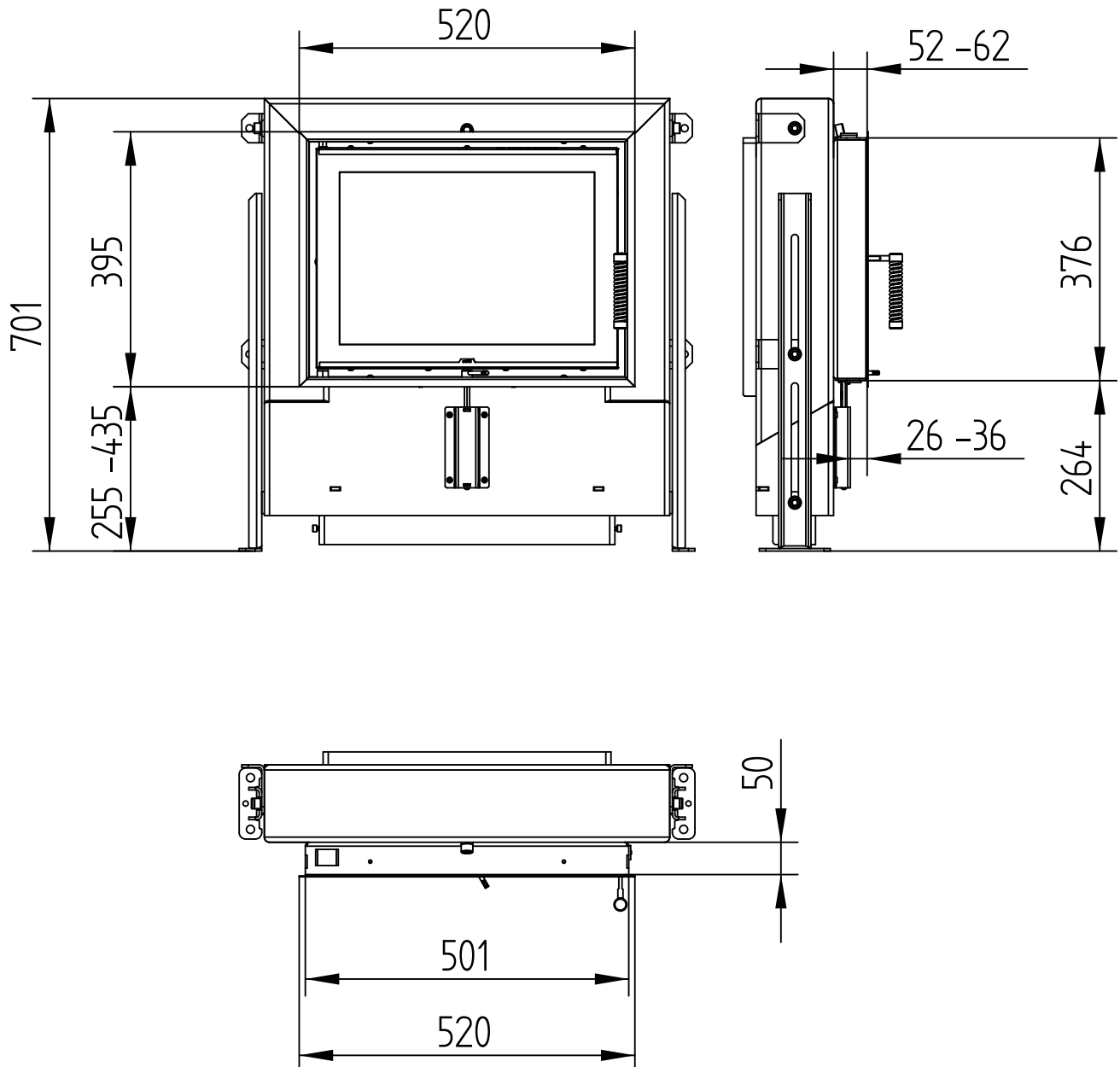


# GT 50/37

Technical data  
Version 07/2015

COVER FRAME 4-SIDED 1 x 90°

M 1 : 10



# GT 50/37

Technical data  
Version 07/2015

COVER FRAME 4-SIDED 2 x 45°

M 1 : 10

